

# horizontal under ground tanks (Epoxy)

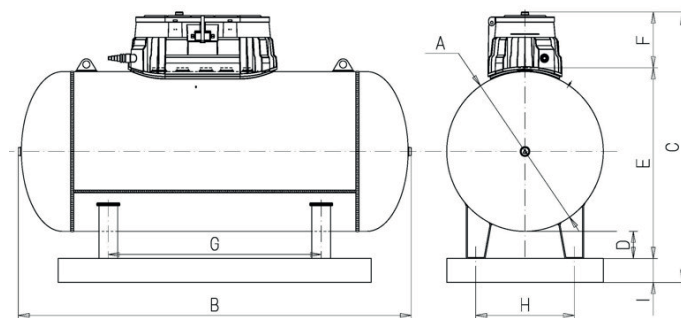
The tanks for the LPG storage are produced at the A. Merloni plants of Matelica (Mc) Italy, in accordance with the European Directive 2014/68 / EU (PED) according to the Harmonized Standards EN 12542: 2020 and 13445: 2021. Operating temperature  $-40^{\circ} + 50^{\circ} \text{ C}$ .

For optimal protection from the aggression of climatic agents, after careful cleaning of the surface with SA2.5 grade sandblasting, the Above Ground tanks are protected by a two-component epoxy galvanizing bottom and subsequent finishing with white epoxy polyurethane paint for a minimum total thickness of 120Qm.

If the housing is not optimal, or to avoid possible damage to the coating during handling, a customized accessory called "marsupio" is available that wraps the entire surface of the tank providing additional protection.

The protection of the surface of the tank from the corrosive action of the chemical-physical components typical of the installation site, is guaranteed by a Cathodic Protection system made with a layer of epoxy paint  $> 500 \text{ Qm}$  (Passive Protection) associated with magnesium anodes (Active Protection).

In this way, an electrochemical protection system is created, customized in such a way as to protect the body under pressure from corrosion for years.



## Technical information

Horizontal Under Ground										
Capacity lt.	A mm	B mm	C mm	D mm	E mm	F mm	G mm	H mm	I	Weight Kg
1.000	800	2.240	1.325	115	939	336	1.200	450	50	551
1.750	1.000	2.506	1.395	170	1.194	336	1.360	630	40	849
2.750	1.200	2.775	1.600	170	1.394	336	1.400	675		663
5.000	1.200	4.790	1.620	190	1.414	336	3.200	675		1.127
10.000	1.700	4.910	2.074	150	1.850	535	3.350	1.010		2.600
12.500	1.700	5.910	2.074	150	1.850	535	3.350	1.010		3.150

Horizontal Flow rate Kg/ h*						
	Up to 2 h	Up to 4 h	Up to 6 h	Up to 8 h	>8 h	Kcal/day
1.000	8,1	5,8	5,1	4,0		500.000
1.750	11,8	8,3	6,3	5,6		950.000
2.750	22,0	16,0	12,0	11		1.500.000
5.000	40,0	30,0	20,0	15		2.500.000
10.000 min**		65,0		50	40	
10.000 max***		105,0		80	55	
12.500 min**		80,0		60	50	
12.500 max***		120,0		90	65	